

FTTC BROADBAND.

PRODUCT SHEET

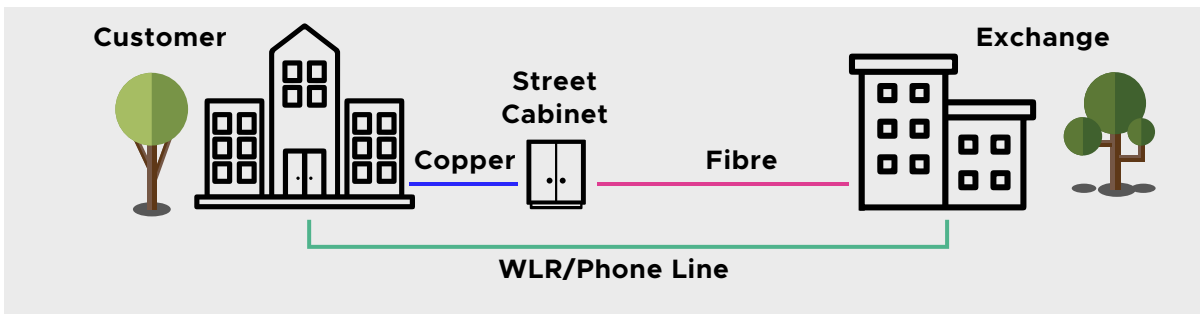
Get excellent coverage and great value for money for everyday business requirements

With FTTC Broadband, your customers can benefit from faster download and upload speeds, reliable connectivity and consistently better performance than a standard ADSL broadband connection. Widely available across the UK, if your customers are looking for a budget-friendly fibre solution with no infrastructure costs, FTTC is the perfect solution.

WHAT IS FTTC?

FTTC (Fibre to the Cabinet) delivers broadband into a property over the End Users' copper telephone line. FTTC uses fibre to deliver the service to a local cabinet, and copper for the 'last mile' of the service from the cabinet to the property. As the connection is installed through existing copper lines, this results in cost reductions for your customers. Although speeds are not as fast as the fibre alternative, FTTP, (Fibre to the Premises), FTTC provides a cost-effective option whilst still delivering fast, reliable speeds.

HOW DOES FTTC WORK?



BANDWIDTH OPTIONS.

Download	Upload
40	10
80	20

KEY FEATURES.



Up to 80Mb download, 20Mb upload available in some areas



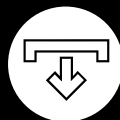
Unlimited data



12-month minimum contract



Fast speeds, greater reliability



Affordable and convenient to install

HOW IT WILL BENEFIT YOUR CUSTOMERS.



Increased speed and reliability

Up to 80Mb download and 20Mb upload speeds – perfect for hosted server access or cloud applications.



Unlimited data

All the data they need for their business requirements with no extra fees and no caps to worry about.



Host multiple users

Large enough bandwidth to cater for multiple users simultaneously, with multiple free static IP addresses included as standard.



Enhanced control

Access to customised connection management portal. View real-time diagnostics, bandwidth allocation, and bill maintenance.



Cost-effective

High-quality, reliable broadband connection with affordable setup costs and low monthly fees.

HOW IT WILL BENEFIT YOUR BUSINESS.



Resourceful partner portal

Full access to campaign support, product collateral, and training materials.



UK-based support

Dedicated account management and professional services support tailored to your business needs.



Quick provisioning

We aim to install and have connections up and running within 10 days from an order being placed.

WHY CHOOSE NASSTAR CHANNEL?

Everything you need for you and your customers, right there in black and white

We remove the complexity and keep it simple. Our FTTC Broadband products meet the needs of your customers and provides unrivalled support and experience you can't get anywhere else.

- Established provider with years of experience
- Highly trained UK-based service and support team
- Access to the best expertise and resources
- Tried and tested, innovative products that deliver when you need them to
- Fully flexible options
- Simple on-boarding process
- Dedicated partner portal
- Full commitment and dedication to the channel and its needs



**Passionate
people**



**Innovative
technology**



**Exceptional
experience**



Channel-centric



**Straightforward
solutions**

WHAT OUR PARTNERS SAY.

“Nasstar Channel stand out from the other partners we've worked with, due to the support channels, superb account management team and the great portfolio of products and services.

As a long-standing partner, we have confidence in Nasstar Channel network and support, which allows us to take on new business, knowing they won't let us down.”

Zencom Telecommunications Ltd

**FIND OUT MORE ABOUT THIS PRODUCT AND THE REST OF THE
NASSTAR CHANNEL PORTFOLIO.**

Contact us at enquiries@nasstarchannel.com